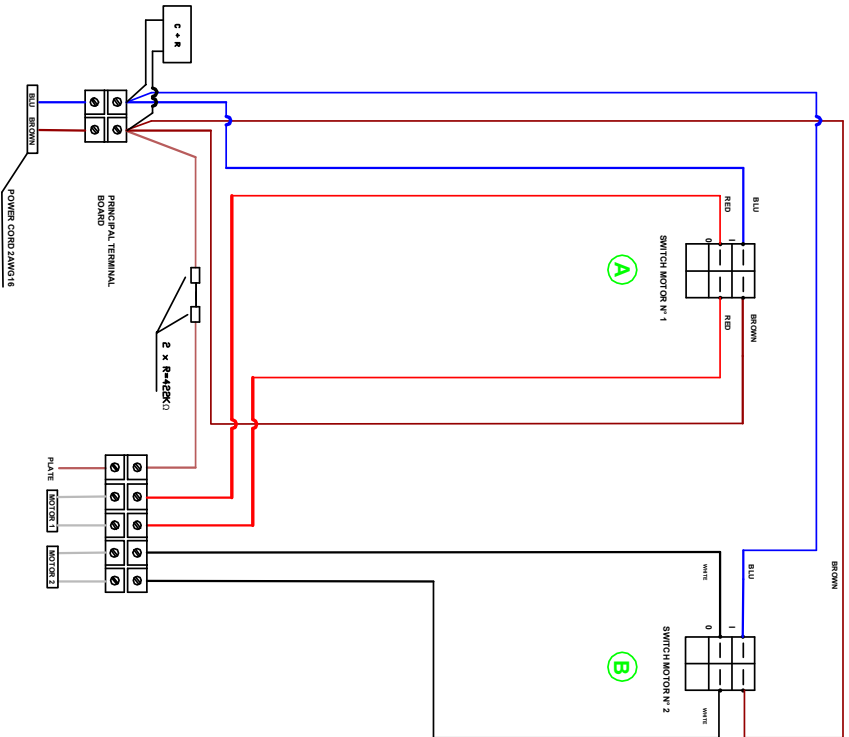
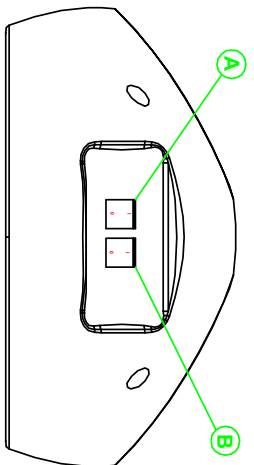


SWITCH POLES A e B



ELECTRIC CIRCUIT EXEL/VERSO WITH 2 MOTOR
U.T. ELSEA 09-12-2009